

Original BMW Accessories. Installation Instructions.



Retrofit - Cup holder BMW 1 Series

These installation instructions apply only to LHD vehicles.

Retrofit kit No.: 51 16 0 443 082 Cup holder

Installation time

The installation time of **approx. 1.5 hours** may vary depending on the vehicle's condition and equipment.

Important information

These installation instructions are primarily designed for use within the BMW dealership organisation and by authorised BMW service companies.

In any event, the target group for these installation instructions is specialist personnel trained on BMW cars with the appropriate specialist knowledge.

All work must be completed using the latest BMW repair manuals, circuit diagrams, servicing manuals and work instructions, in a rational order, using the specified tools (special tools) and observing current health and safety regulations.

In the event of installation or functional problems, limit troubleshooting to 0.5 hours for mechanical jobs and 1.0 hours for electrical jobs.

To avoid unnecessary work and costs, send a corresponding enquiry via the Aftersales Assistance Portal (ASAP) using the technical parts support application.

Please quote the following:

- Vehicle identification number
- Part number of retrofit kit
- Exact description of the problem
- Work already carried out.

Do not archive the hard copy of these installation instructions since daily updates are made by ASAP!

Pictograms



Denotes instructions that draw your attention to special features.

◀ Denotes the end of the instruction or other text.

Installation information

Template **E** from the parts kit should be used for installing the retrofit kit.

Ordering information

Trim cover **C** for the retrofit kit must be ordered separately.

Observe colour variant (refer to EPC for part number and instructions).

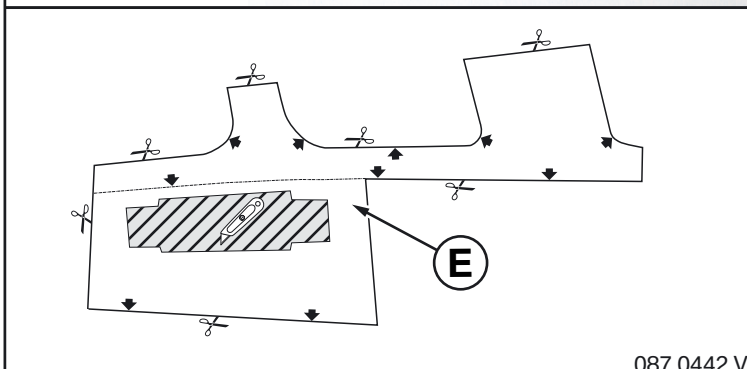
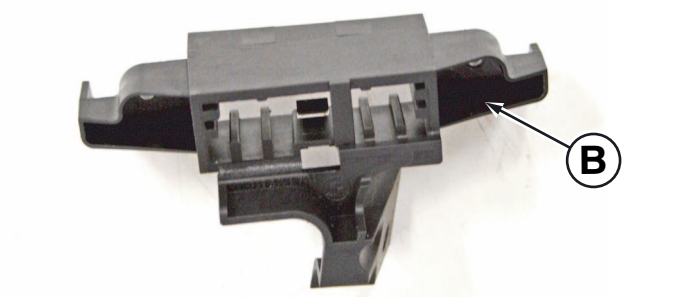
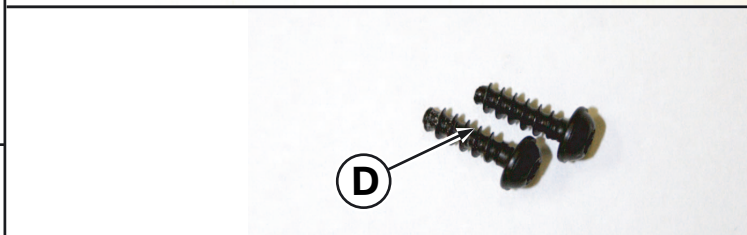
Special tools required

00 9 317, Trim panel wedge

Contents

Section	Page
1. Parts overview.....	4
2. Preparatory work	5
3. Installing cup holder.....	6
4. Finishing off and coding.....	8

1. Parts overview



087 0442 V

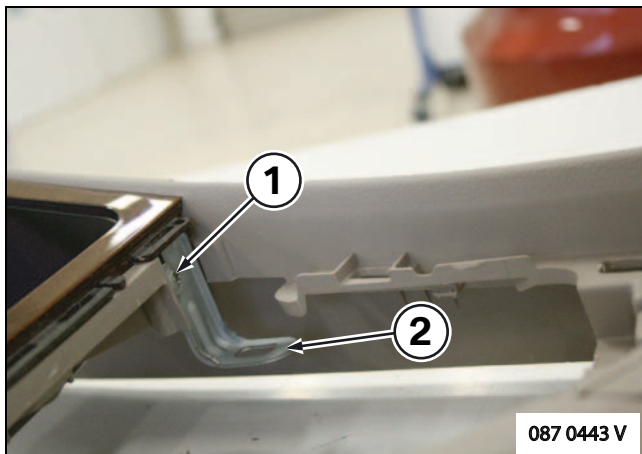
Legend

- A** Cup holder
- B** Bracket
- C** Trim cover (not included in parts kit)
- D** Screw (2x)
- E** Templates

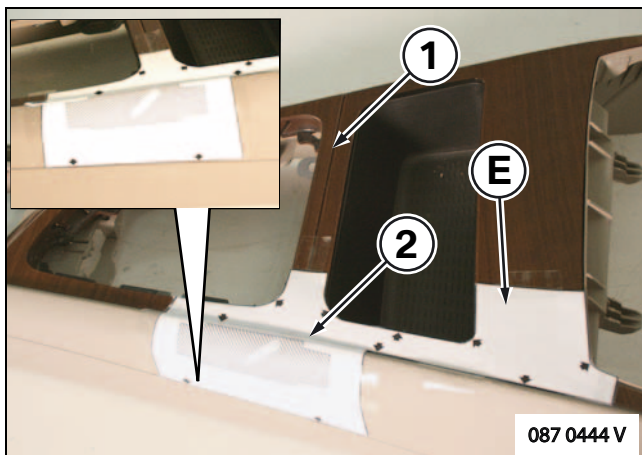
2. Preparatory work

	ISTA No.
Perform quick test	- - -
Disconnect negative terminal of battery	12 00 ...
Remove the following components	
Knob for controller (version with controller)	61 31 192
Front controller (version with controller)	61 31 195
Knob for gearshift lever (manual transmission version)	25 11 071
Gaiter for gearshift lever (manual transmission version)	25 11 081
Trim cover for selector lever (automatic transmission version)	51 16 210
Replace gaiter for shift console (automatic transmission version)	25 16 065
Replace grip/knob for gearshift lever (automatic transmission version)	25 16 061
Trim cover for gearshift	51 16 ...
Pedal assembly trim panel	51 45 185
Dashboard trim, bottom right	51 45 181
Trim cover on rear storage compartment	51 16 ...
Gaiter for handbrake lever	34 41 ...
Clipped trim cover (only E87 before 03/2007)	51 16 221
Centre trim cover for dashboard (only E87 before 03/2007)	51 45 310
Storage compartment	51 16 200

3. Installing cup holder



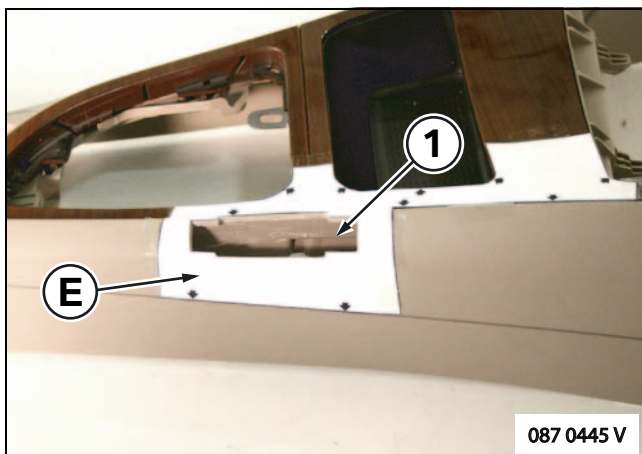
Remove screw (1) and securing element (2).



Clip trim cover (1) for the shift lever into the centre console in accordance with ISTA repair instructions.

Cut out template **E** along the marked cutting edge, pull away from backing paper and adhere as illustrated on to centre console.

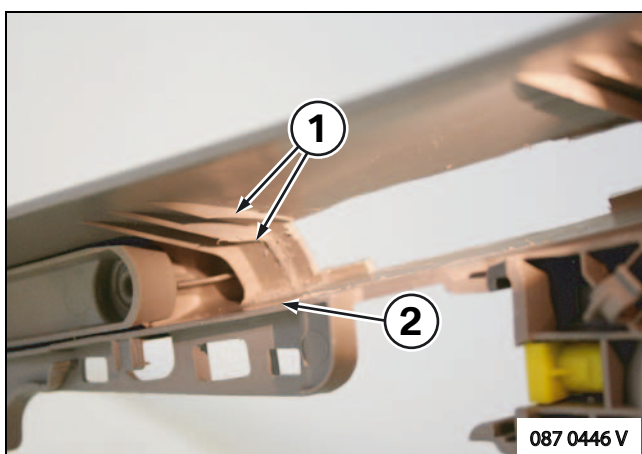
▶ The dashed line (2) must run along the joint between the centre console and trim cover (1). ◀



Use a suitable tool (carpet knife) to cut out the marked area (1).

Now remove template **E**.

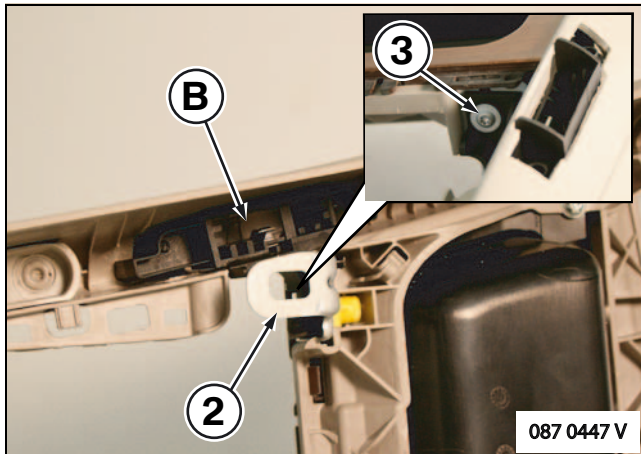
▶ Make sure that the cable that may be running through the centre console is not damaged. ◀



Use a suitable tool (carpet knife) to cut out the reinforcement ribs (1) on the underside of centre console (2).

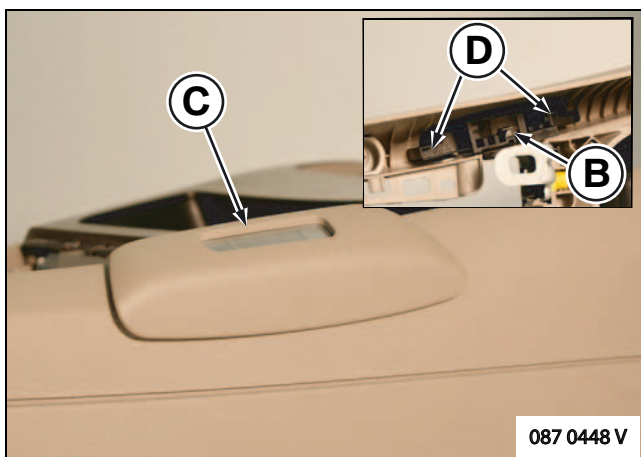
▶ Make sure that the cable that may be running through the centre console is not damaged. ◀

3. Installing cup holder

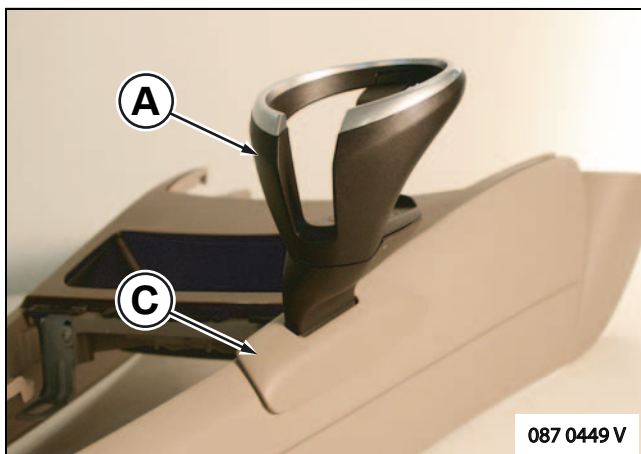


Fit bracket **B** in the centre console from below and secure together with mounting element (2) with screw (3). Rework cut-out if necessary.

⚠ Make sure that the cable that may be running through the centre console is not bent or damaged. ◀



Fit trim cover **C** in position and secure with screws **D** through bracket **B**.



Fit cup holder **A** in trim cover **C**.

4. Finishing off and coding

The retrofit system does not require encoding.

- Reassemble vehicle in reverse order of removal
- Reconnect vehicle battery
- Perform quick test